

CABLE 129 RF: RF CABLE ASSEMBLY, HIROSE U.FL PLUG + RP SMA BULKHEAD JACK + MULTIPLE CABLE SIZES - 3GHz

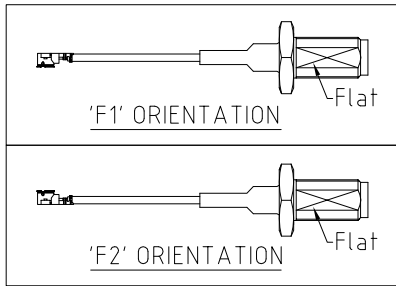
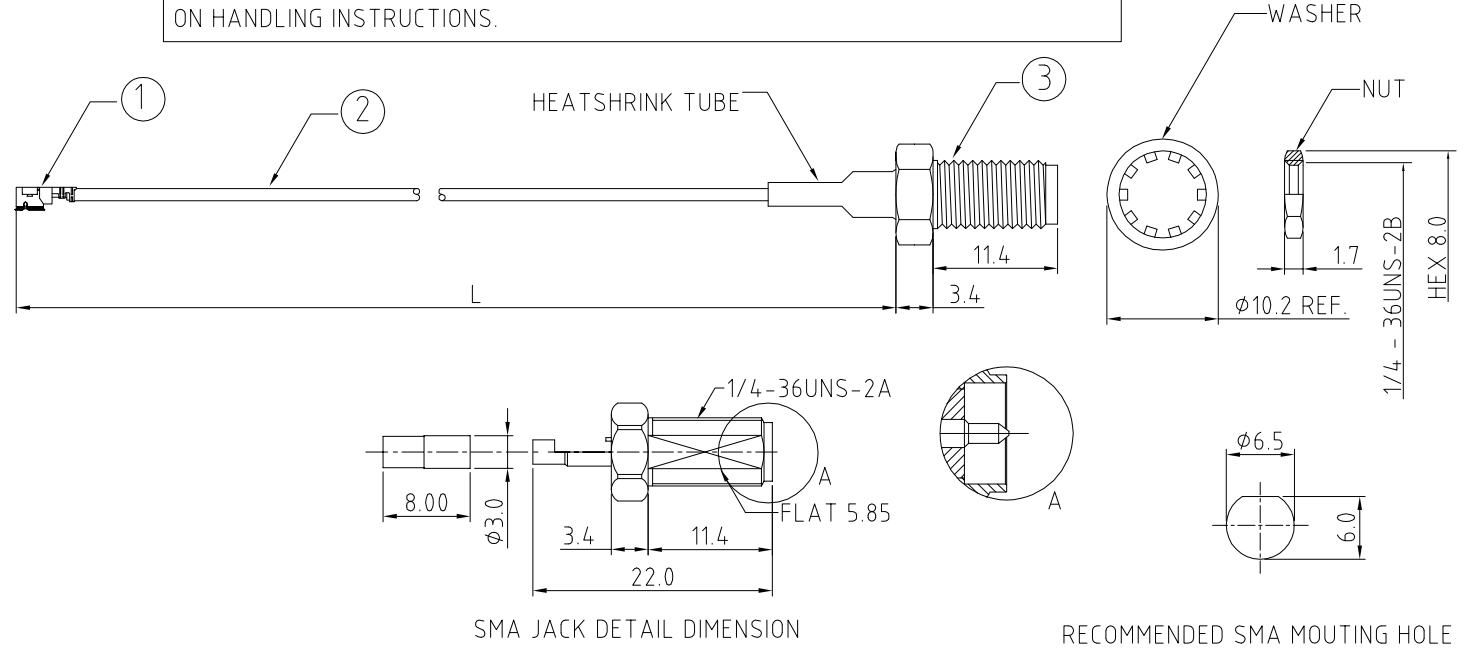
SPECIFICATIONS:

- HIROSE U.FL PLUG P/N:  
 FOR  $\phi 1.13\text{MM}$  CABLE: U.FL-LP-068.  
 FOR  $\phi 1.32\text{MM}$  CABLE: U.FL-LP-066.  
 FOR  $\phi 1.37\text{MM}$  CABLE: U.FL-LP-088.
- COAXIAL CABLE (SEE PART NUMBER FOR DETAIL).
- RP SMA ST BULKHEAD JACK( C20ABWS178003B), GOLD

**USAGE PRECAUTIONS: CABLES USING 'MICRO' COAX ARE DELICATE:**  
 (i) HANDLE WITH CARE.  
 (ii) DO NOT TWIST; APPLY EXCESSIVE FORCES OR SHARP BENDS TO THE CABLE. DO NOT FORCEFULLY DEFORM WIRES.  
 (iii) CONSULT CONNECTOR MANUFACTURER'S DATASHEETS FOR DETAILED NOTES ON HANDLING INSTRUCTIONS.

NOTES:

- THE ORIENTATION OF CONNECTORS ON DRAWING IS FOR REFERENCE ONLY, IF THE ORDER IS LEFT BLANK THE CONNECTOR WILL NOT HAVE FIXED ORIENTATION.
- FIXED ORIENTATION IS SUGGESTED FOR CABLE LENGTH 25MM TO 100MM. PLEASE SPECIFY THE FIXED ORIENTATIONS FROM THE ORDER CODE (F1, F2, ETC)
- CONTACT GRAD CONN IF THE ORIENTATION YOU REQUIRE IS NOT SHOWN.
- WORKING FREQUENCY RANGE: DC-3GHZ



HOW TO ORDER  
 CABLE 129 RF - X X X - X - XX - X

"L" LENGTH IN MM  
 eg: 100MM = 0100  
 (MIN. 025-MAX.4.00)  
 STANDARD = 100, 150, 200  
 Tolerance: <50mm :  $\pm 2\text{mm}$ .  
 51-200mm:  $\pm 5\text{mm}$ .  
 201-400mm:  $\pm 7\text{mm}$ .

WASHER AND NUT OPTIONS:  
 BLANK = SEPERATELY PACKED (STANDARD)  
 A = ASSEMBLED WITH CONNECTOR

CABLE SIZE OPTIONS:  
 1 =  $\phi 1.32\text{mm}$  DUAL SHIELD CABLE, GRAY  
 2 =  $\phi 1.37\text{mm}$  CABLE, BLACK  
 3 =  $\phi 1.13\text{mm}$  CABLE, GRAY

ORIENTATION OPTIONS:  
 BLANK = DOES NOT HAVE A FIXED ORIENTATION  
 F1 = HIROSE CONNECTION DOWN (L=25-200MM)  
 F2 = HIROSE CONNECTION UP (L=25-200MM)  
 (SEE NOTES 1, 2, 3 AND DIAGRAMS FOR MORE INFORMATION)

REV. DATE & DRN  
 10 21/10/11 - NYW RELEASE  
 11 23/10/11 - NYW  
 ADD.132 CABLE OPTION.  
 12 01/07/13 - NYW  
 ADD.137 CABLE OPTION.  
 13 02/07/18 - NYW  
 ADD.115 GRAY OPTION.  
 14 28/05/20 - NYW  
 CHANG 1320S CABLE TO GRAY

Scale: NTS	THIRD ANGLE	Unstated X .XX .XXX ANGLES	Tolerances: N/A N/A N/A N/A	Material SEE NOTE
Drawn: NYW				
App'd: XXX	Title: CABLE ASSEMBLY	NOT TO SCALE		
Date: 28 MAY '20	Revision: 1.4	Unit: mm		

www.gradconn.com

© THIS DRAWING IS CONFIDENTIAL AND MUST NOT BE COPIED OR DISCLOSED WITHOUT WRITTEN CONSENT

Type: Cable 129 RF
CABLE 129 RF
Drawing Number:
Sheet 1 of 1
Drawing © E and O E